

S D R T e a m

Satellite Navigation and Radiolocation

Software Defined Radio (SDR) is bringing unprecedented versatility to wireless communication systems by processing signals **digitally** instead of with fixed hardware.

Skills You Can Learn

Programming

C++

Verilog (for FPGA)

Python

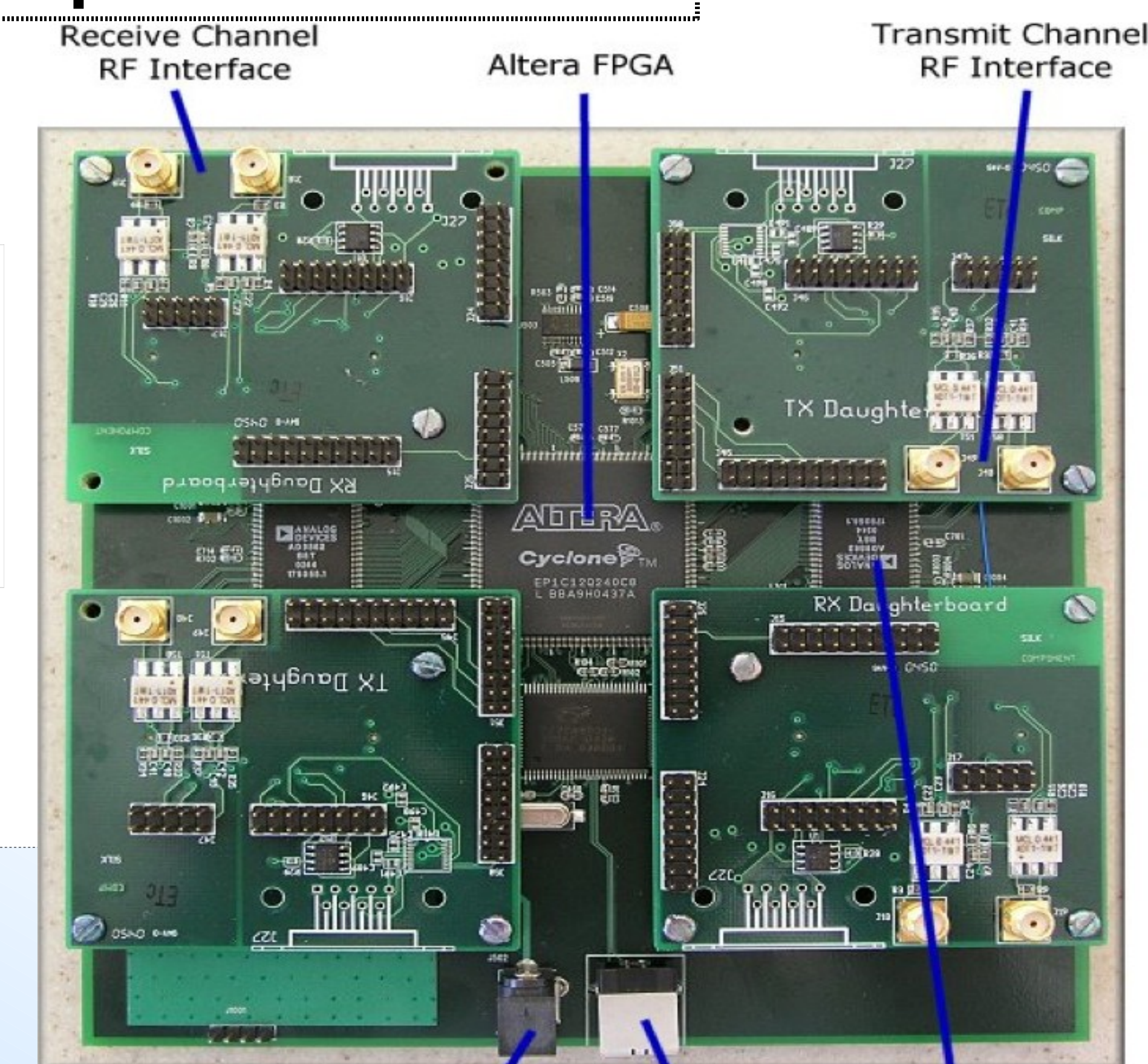
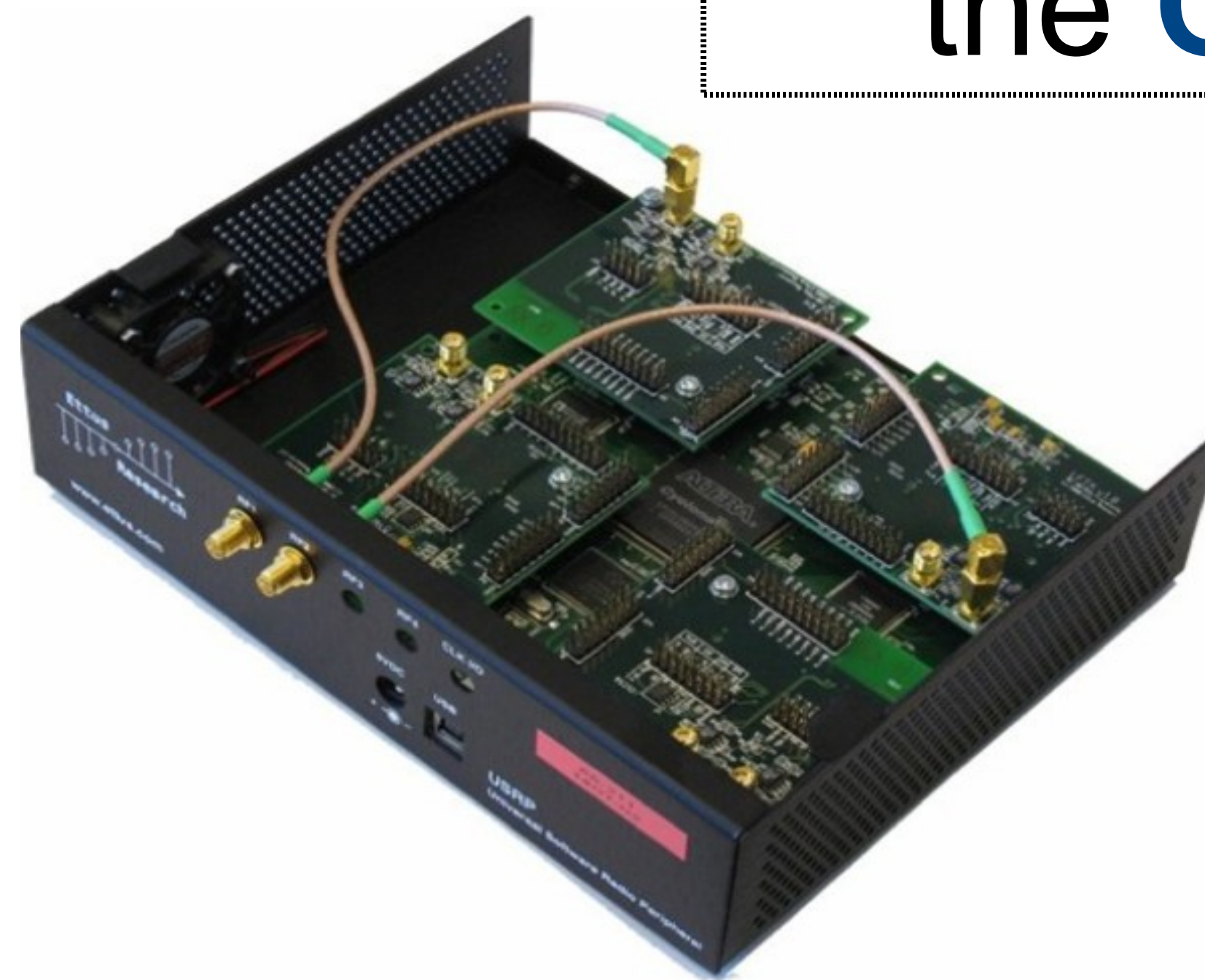
Digital Signal Processing (DSP)

Satellite Navigation Systems

Wireless Communication Systems

Our Mission:

Make software defined radio available to **researchers at Purdue** by becoming the resident experts on the **GNU Radio** SDR platform.



Experimental Application:

Galileo satellite navigation system receiver
Wireless communication testbed for radiolocation